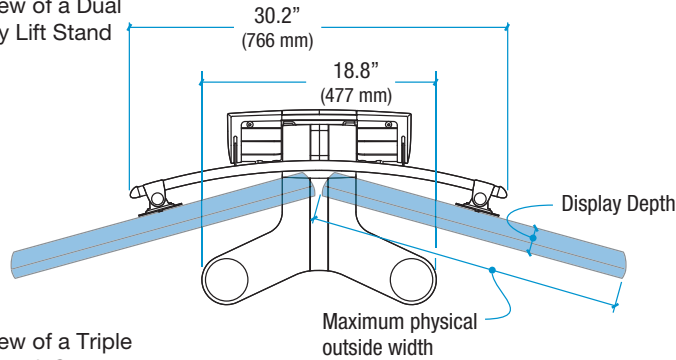


## Dual and Triple Lift Stands

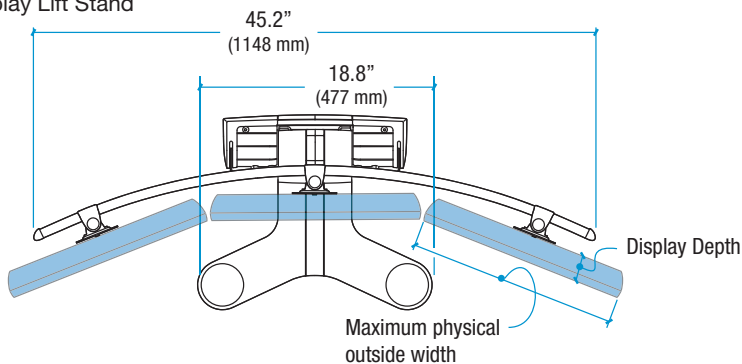
Top view of a Dual Display Lift Stand



### Dual Mount Displays

Maximum Width	Depth
25.00" (635.0 mm)	2" (50.8 mm)
24.75" (628.7 mm)	3" (76.2 mm)
24.38" (619.3 mm)	4" (101.6 mm)
23.75" (603.3 mm)	5" (127.0 mm)

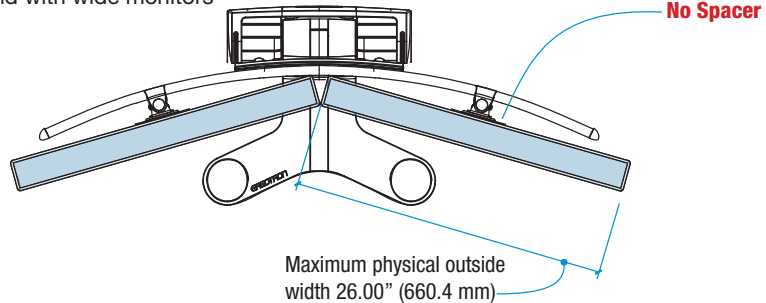
Top view of a Triple Display Lift Stand



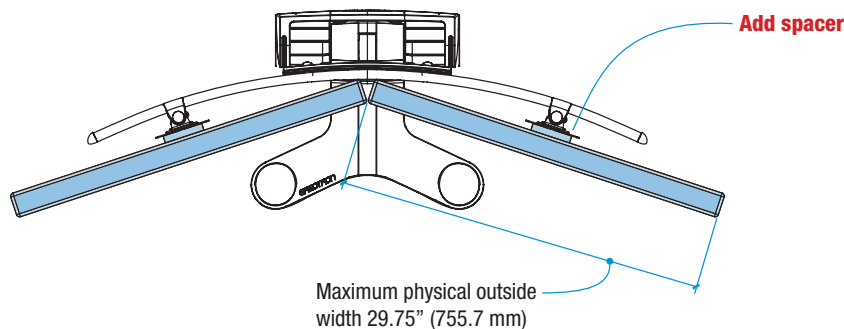
### Triple Mount Displays

Maximum Width	Depth
20.25" (514.3 mm)	2" (50.8 mm)
19.75" (501.7 mm)	3" (76.2 mm)
19.25" (489.0 mm)	4" (101.6 mm)
19.00" (482.6 mm)	5" (127.0 mm)

Top view of a Triple Display Lift Stand with wide monitors



Top view of a Triple Display Lift Stand with wide monitors



© 2012 Ergotron, Inc. rev. 11/06/2012 DIM-065 Content is subject to change without notification

**Americas Sales and Corporate Headquarters**

St. Paul, MN USA  
 (800) 888-8458  
 +1-651-681-7600  
 www.ergotron.com  
 sales@ergotron.com

**EMEA Sales**

Amersfoort, The Netherlands  
 +31 33 45 45 600  
 www.ergotron.com  
 info.eu@ergotron.com

**APAC Sales**

Tokyo, Japan  
 www.ergotron.com  
 apaccustomerservice@ergotron.com

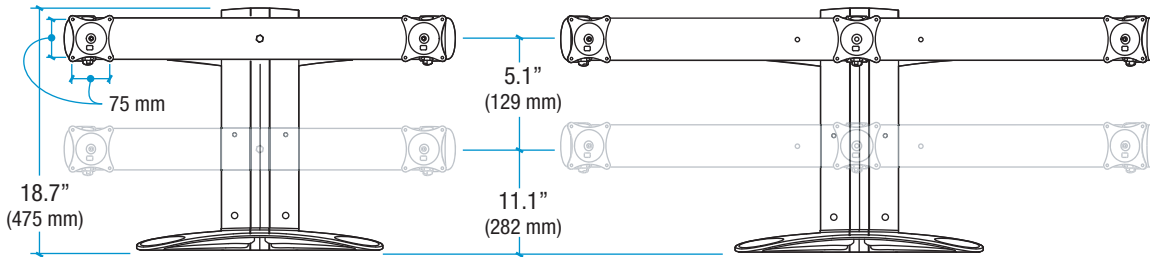
**Worldwide OEM Sales**

www.ergotron.com  
 info.oem@ergotron.com

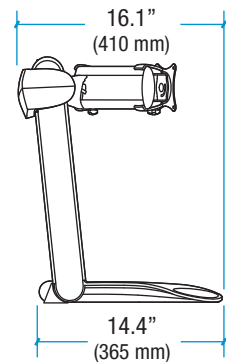


## Dual and Triple Lift Stands

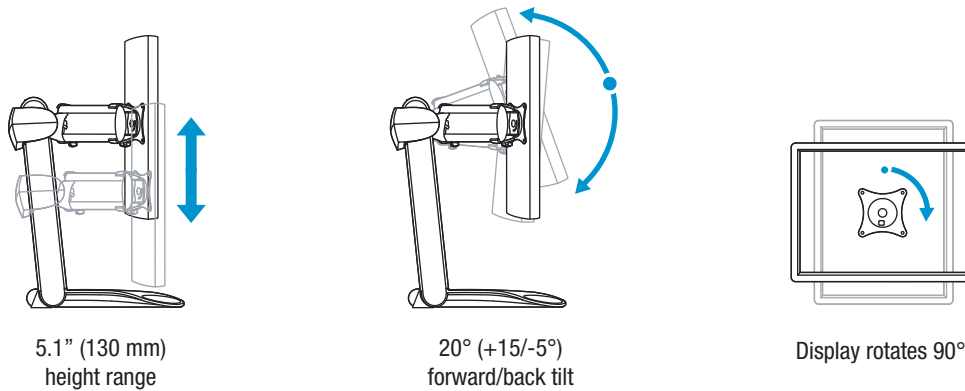
Front views



Side view



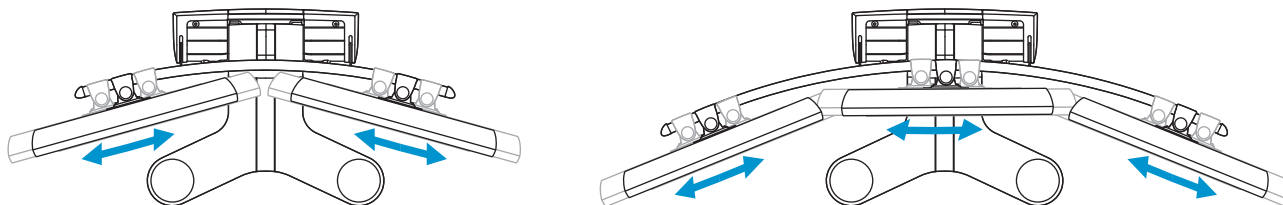
Range of Motion



5.1" (130 mm)  
height range

20° (+15/-5°)  
forward/back tilt

Display rotates 90°



Side to side adjustment  
accommodates different display sizes

© 2012 Ergotron, Inc. rev. 11/06/2012 DIM-065 Content is subject to change without notification

**Americas Sales and Corporate Headquarters**

St. Paul, MN USA  
(800) 888-8458  
+1-651-681-7600  
www.ergotron.com  
sales@ergotron.com

**EMEA Sales**

Amersfoort, The Netherlands  
+31 33 45 45 600  
www.ergotron.com  
info.eu@ergotron.com

**APAC Sales**

Tokyo, Japan  
www.ergotron.com  
apaccustomerservice@ergotron.com

**Worldwide OEM Sales**

www.ergotron.com  
info.oem@ergotron.com

