
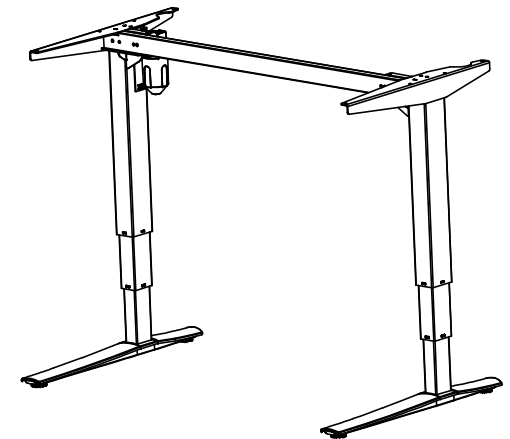
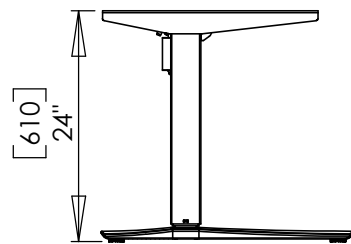
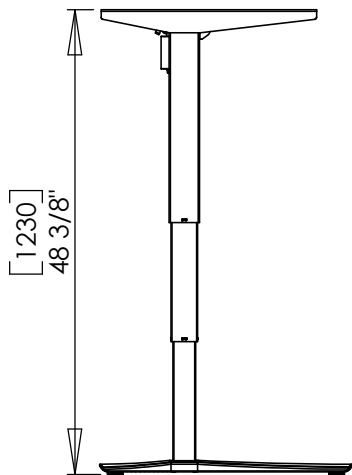
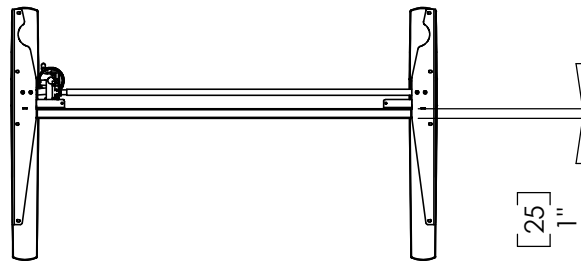
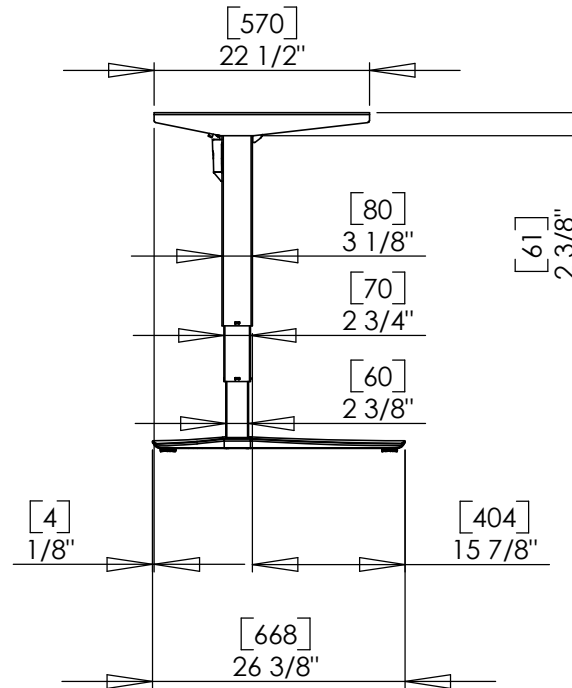
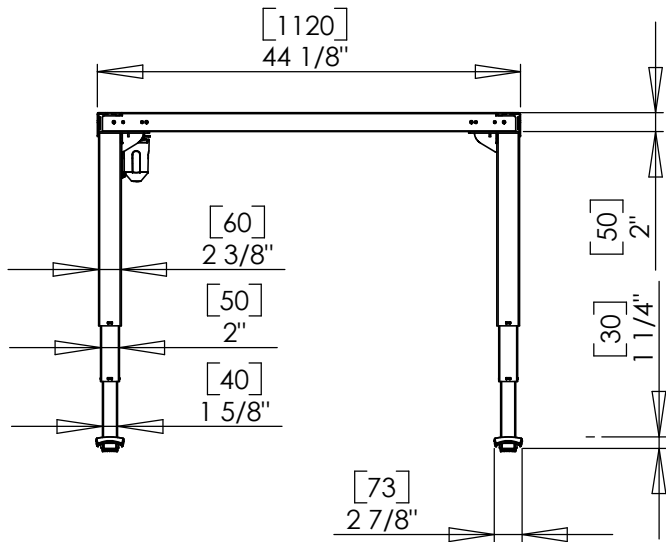

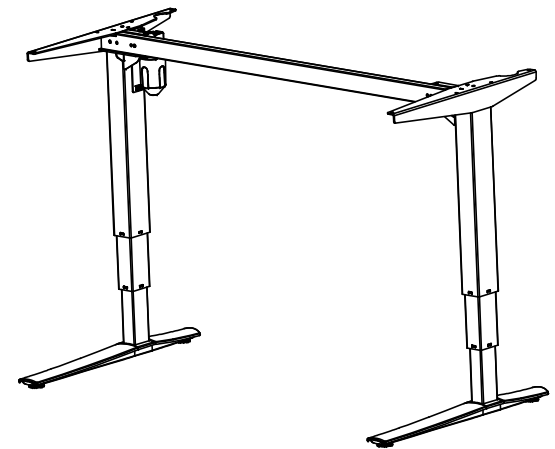
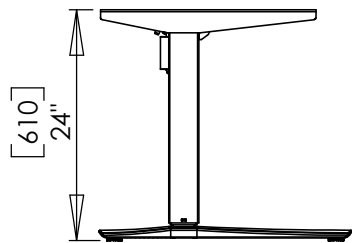
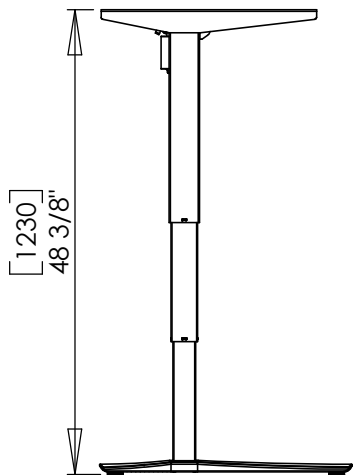
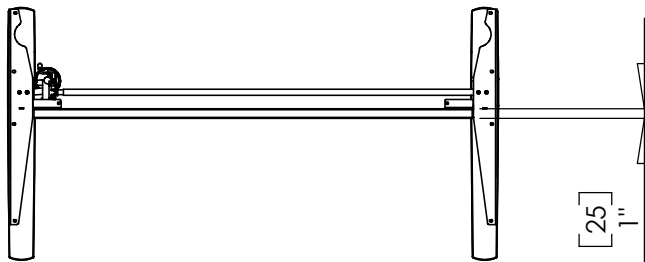
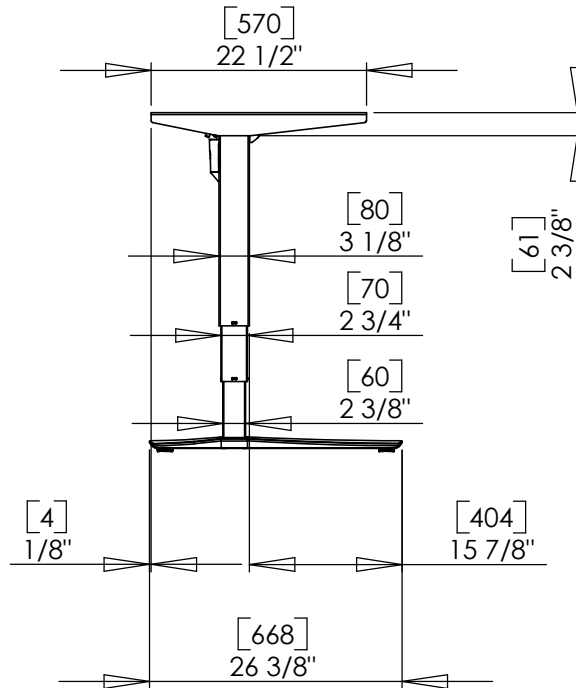
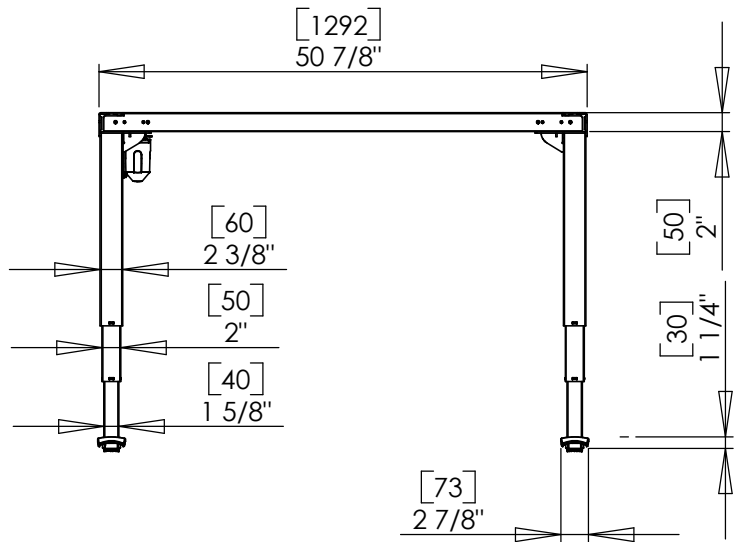
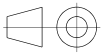


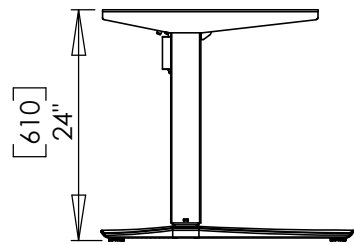
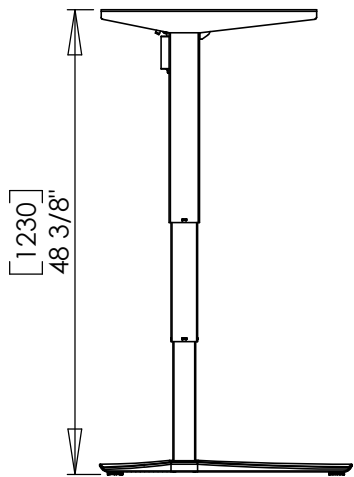
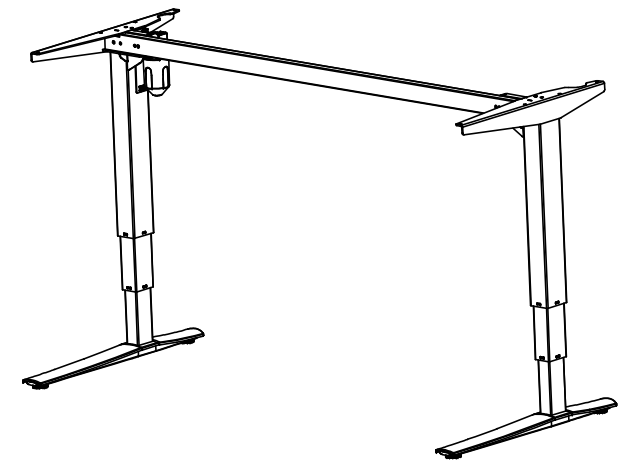
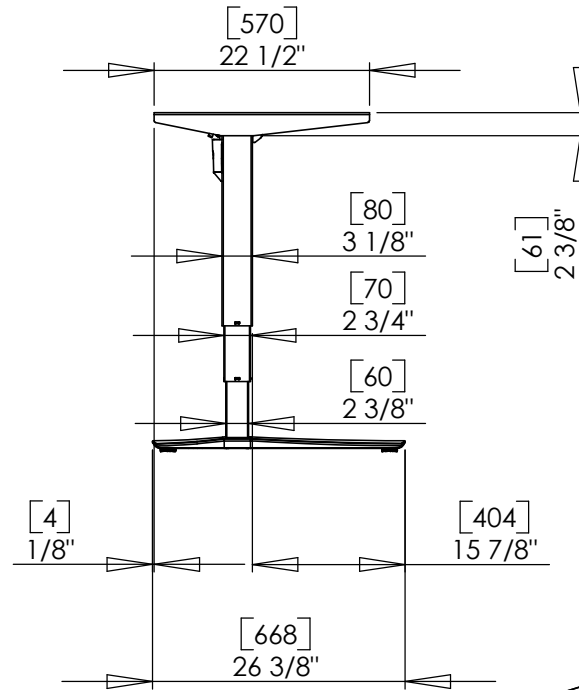
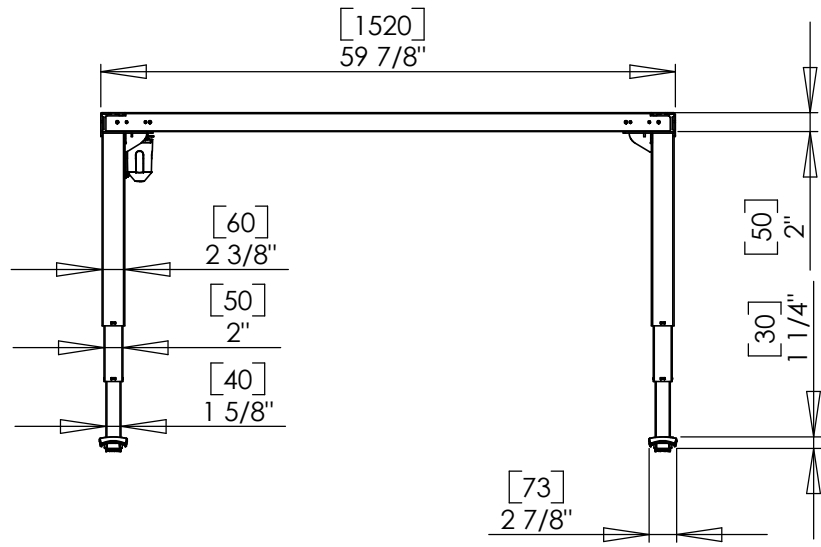
DO NOT SCALE DRAWING SHEET 1 OF 1	WEIGHT:			ConSet A/S Industrivej 23 DK-6900 Skjern Denmark www.conset.com
		NAME		
UNLESS OTHERWISE SPECIFIED: DIMENSIONS ARE IN MILLIMETERS TOLERANCES: LINEAR: According to ANGULAR: DIN 7168-m	DRAWN	jo	16-05-2016	501-43 XX112-152
	CHECKED			
PROPRIETARY AND CONFIDENTIAL THE INFORMATION CONTAINED IN THIS DRAWING IS THE SOLE PROPERTY OF CONSET A/S. ANY REPRODUCTION IN PART OR AS A WHOLE WITHOUT THE WRITTEN PERMISSION OF CONSET A/S IS PROHIBITED.	Processes:		assembly	DWG NO.
	Remarks:			141240

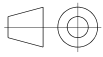


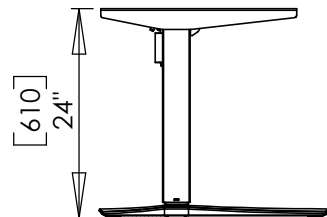
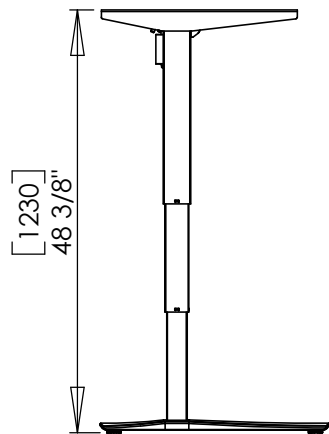
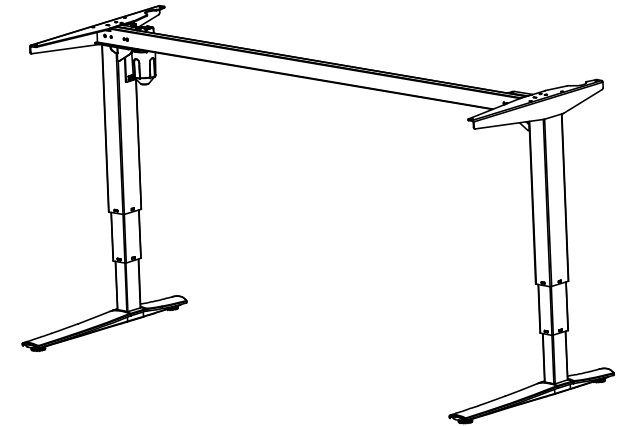
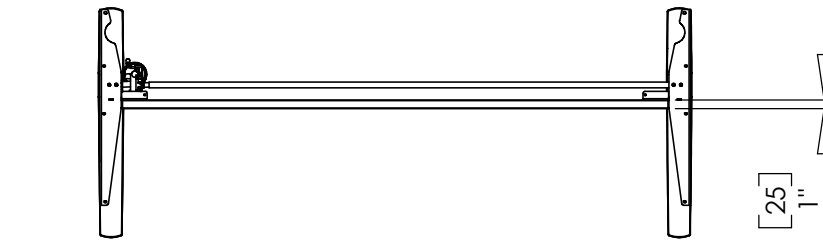
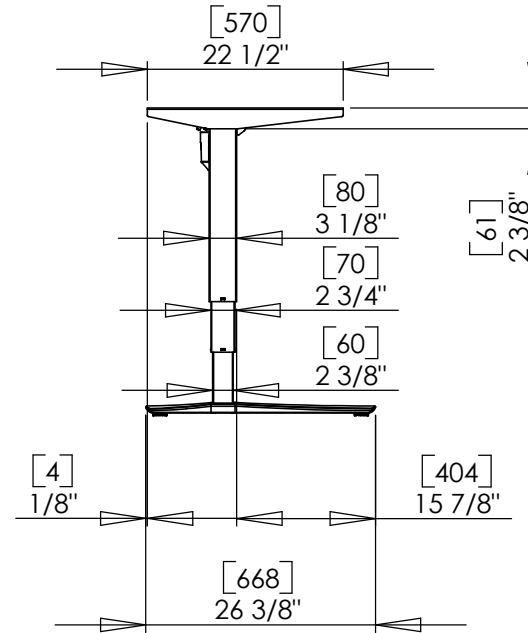
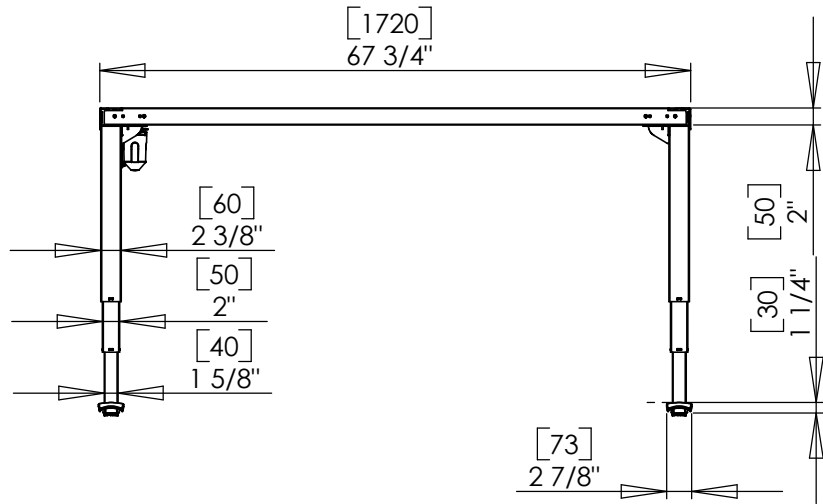
DO NOT SCALE DRAWING SHEET 1 OF 1	WEIGHT:			ConSet A/S <small>Industrivej 23 DK-6900 Skjern Denmark www.conset.com</small>	
	UNLESS OTHERWISE SPECIFIED: DIMENSIONS ARE IN MILLIMETERS TOLERANCES: LINEAR: According to ANGULAR: DIN 7168-m	NAME		DATE	TITLE:
PROPRIETARY AND CONFIDENTIAL THE INFORMATION CONTAINED IN THIS DRAWING IS THE SOLE PROPERTY OF CONSET A/S. ANY REPRODUCTION IN PART OR AS A WHOLE WITHOUT THE WRITTEN PERMISSION OF CONSET A/S IS PROHIBITED.	DRAWN	jo	16-05-2016	501-43 XX112	
	CHECKED				
	Processes:	assembly		DWG NO.	141220




DO NOT SCALE DRAWING SHEET 1 OF 1	WEIGHT:			ConSet A/S Industrivej 23 DK-6900 Skjern Denmark www.conset.com
		NAME		
UNLESS OTHERWISE SPECIFIED: DIMENSIONS ARE IN MILLIMETERS TOLERANCES: LINEAR: According to ANGULAR: DIN 7168-m	DRAWN	jo	16-05-2016	TITLE:
	CHECKED			501-43 XX129
PROPRIETARY AND CONFIDENTIAL THE INFORMATION CONTAINED IN THIS DRAWING IS THE SOLE PROPERTY OF CONSET A/S. ANY REPRODUCTION IN PART OR AS A WHOLE WITHOUT THE WRITTEN PERMISSION OF CONSET A/S IS PROHIBITED.	Processes:		assembly	DWG NO.
	Remarks:			142450
				REVISION
				0



DO NOT SCALE DRAWING SHEET 1 OF 1	WEIGHT:			ConSet A/S Industrivej 23 DK-6900 Skjern Denmark www.conset.com
		NAME		
UNLESS OTHERWISE SPECIFIED: DIMENSIONS ARE IN MILLIMETERS TOLERANCES: LINEAR: According to ANGULAR: DIN 7168-m	DRAWN	jo	16-05-2016	TITLE:
	CHECKED			501-43 XX152
PROPRIETARY AND CONFIDENTIAL THE INFORMATION CONTAINED IN THIS DRAWING IS THE SOLE PROPERTY OF CONSET A/S. ANY REPRODUCTION IN PART OR AS A WHOLE WITHOUT THE WRITTEN PERMISSION OF CONSET A/S IS PROHIBITED.	Processes:		assembly	DWG NO.
	Remarks:			141050
				0



DO NOT SCALE DRAWING SHEET 1 OF 1	WEIGHT:			ConSet A/S <small>Industrivej 23 DK-6900 Skjern Denmark www.conset.com</small>	
		NAME		DATE	TITLE:
UNLESS OTHERWISE SPECIFIED: DIMENSIONS ARE IN MILLIMETERS TOLERANCES: LINEAR: According to ANGULAR: DIN 7168-m	DRAWN	jo	16-05-2016	501-43 XX172	
	CHECKED				
PROPRIETARY AND CONFIDENTIAL THE INFORMATION CONTAINED IN THIS DRAWING IS THE SOLE PROPERTY OF CONSET A/S. ANY REPRODUCTION IN PART OR AS A WHOLE WITHOUT THE WRITTEN PERMISSION OF CONSET A/S IS PROHIBITED.	Processes:		assembly		
	Remarks:		DWG NO. 141230		
				REVISION	0